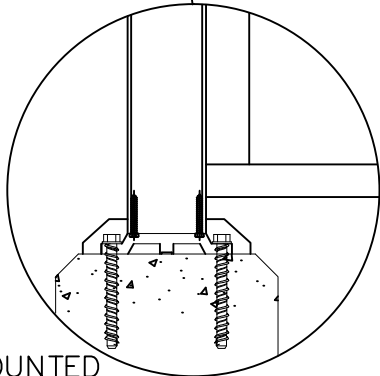
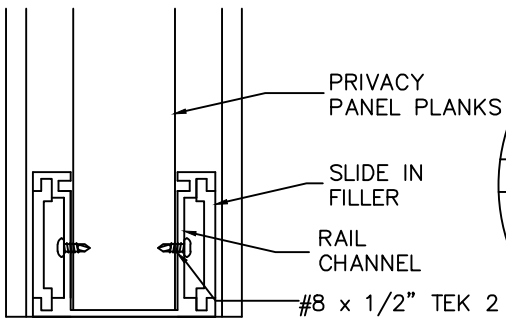


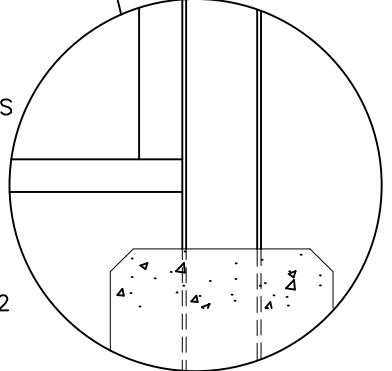
SECTION B-B



TOP MOUNTED ON CONCRETE OR WOOD



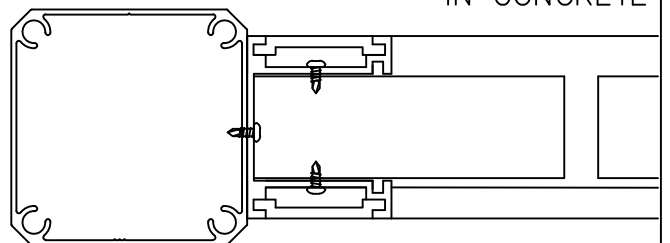
SECTION A-A



EMBEDED IN CONCRETE

SPECIFICATIONS:

- POSTS, RAILS: EXTRUDED MARINE 6063-T5 PRIME ALUMINUM, CANADIAN PRODUCED
- & PICKETS
- FINISH: SEVEN STAGE ARCHITECTURALLY CERTIFIED PRETREATMENT AS PER AAMA 2604
- POSTS: 76mm x 76mm(3" x 3") x 1.65mm WALL OR 51mm x 51mm(2" x 2") x 1.65mm WALL
- POST CAPS: PYRAMID OR BALL
- FENCE BOARD: ALUM. (USED VERTICAL OR HORIZONTAL)
 - SIZES: 25mm x 25mm(1" x 1")
 - 25mm x 51mm(1" x 2")
 - 25mm x 76mm(1" x 3")
 - 25mm x 150mm(1" x 5")



SECTION C-C

STANDARD COLOURS:
BLACK, WHITE AND PEWETER

WARRANTY: 25 YEAR LIMITED

*NOTE: FOR CLEAN AND SEAMLESS FINISH, NO FASTENERS ARE EXPOSED.

COMMENTS:

	TITLE: ALUMINUM FENCE PANEL STYLE AF-AP2	DRAWING No. AF-AP2
---	---	------------------------------

CHK'D: DATE: MAR. 29/2020