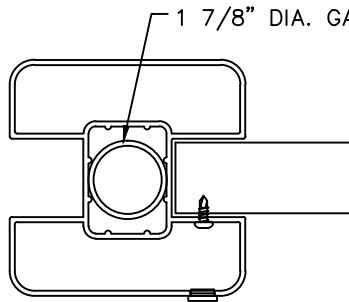
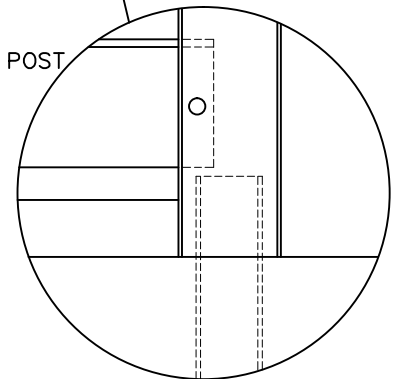


TOP MOUNTED
ON CONCRETE
OR WOOD



SECTION A-A



POUND INTO
GROUND

SPECIFICATIONS:

POSTS, RAILS:
& PICKETS: VINYL .125 WALL

FINISH: PVC (POLY VINYL CHLORIDE)
MADE IN CANADA

POSTS: 140mm x 140mm(5.5"x 5.5") x 1.25mm WALL

POST CAPS: PYRAMID

PRIVACY PANEL: VINYL .125 WALL

STANDARD COLOURS:

WHITE AND CLAY

WARRANTY: 5 YEAR LIMITED

*NOTE: FOR CLEAN AND SEAMLESS FINISH, NO FASTENERS ARE EXPOSED.

COMMENTS:

	<p>TITLE:</p> <h1>VINYL FENCES STYLE AF-V1</h1>	<p>DRAWING No.</p> <h1>AF-V1</h1>
-------------------------------------------------------------------------------------	-----------------------------------------------------	-----------------------------------

CHK'D:

DATE: MAY 3/2020