

TOP MOUNTED  
ON CONCRETE  
OR WOOD

**SPECIFICATIONS:**

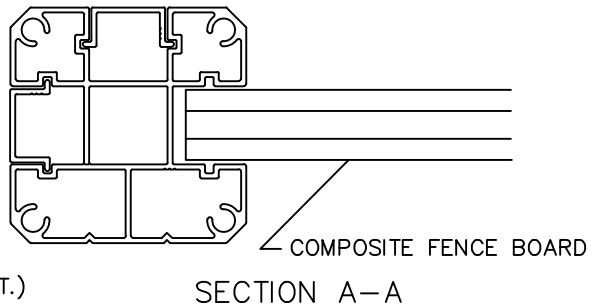
POSTS, RAILS: EXTRUDED MARINE 6063-T5  
PRIME ALUMINUM, CANADIAN PRODUCED

FINISH: SEVEN STAGE ARCHITECTURALLY  
CERTIFIED PRETREATMENT AS  
PER AAMA 2604

POSTS: 76mm x 76mm(3" x 3") x 1.65mm WALL

POST CAPS: PYRAMID OR BALL

FENCE BOARD: COMPOSITE FENCE BOARD (USED HORIZ. OR VERT.)  
SIZES: 25mm x 171mm(1" x 6.75")



**\*NOTE:** FOR CLEAN AND SEAMLESS FINISH, NO FASTENERS ARE EXPOSED.

COMMENTS:

	TITLE:	COMPOSITE FENCE PANEL STYLE AF-AC1	DRAWING No.	AF-AC1
	CHK'D:		DATE:	MAY. 5/2020